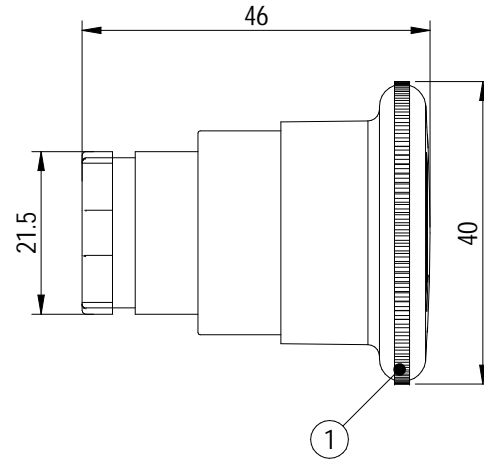
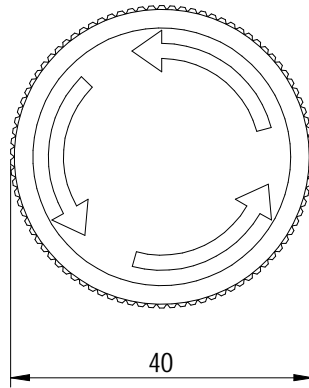


未注公差/General tolerances (mm)											0.1/10		
0 ~ 3	>3 ~ 6	>6 ~ 10	>10 ~ 18	>18 ~ 30	>30 ~ 50	>50 ~ 80	>80 ~ 120	>120 ~ 180	>180 ~ 250	>250 ~ 315		>315 ~ 400	>400 ~ 500
±0.12	±0.18	±0.22	±0.26	±0.31	±0.37	±0.57	±0.80	±0.93	±1.05	±1.15	±1.60	±2.20	±2.50



DT22MU - EP / X

(Series No.)

(Type of actuator): EP: Emergency

(Color): RD: (Red)

ITEM	NAME OF PART	MATERIAL	NOTES
1	Button head	/	/
使用温度范围/Operating temperature(°C)		-25~+55(无冰冻)	
使用湿度范围/Operating humidity(%RH)		45~85	
符合RoHS环保要求/Conform to RoHS		Yes	
标准颜色编号/Standard color number: PANTONE / RAL		/	

DEGSON		MATERIAL:	SURFACE/COLOR:	
APPD: GZG 2025.08.11		MAT NO./REV: / 00		MAT STATUS: 样品
CHKD: PH 2025.08.11		NAME		
DRFT: GXJ 2025.08.11		DT22MU-EP/X		
DRAWING NO.	TYPE	DRAWING STATUS	SCALE	SHEET
200379001	CUSTOMER DRAWING	work	2:1	1/1

REV	ECN	DESCRIPTION	DRFT	DATE
00		New Drawing	GXJ	2025.08.11

Transfer or duplication of this document as well as the utilization or summarization of its contents are prohibited unless authorized in general. Violations will be treated for compensation. All rights reserved for patent, utility model or design registrations. 除专利权明确授权外, 否则禁止上述、复制、印刷、充注本文件的存储、使用、复制或再行传播。 侵犯者将承担赔偿责任。 本公司保留对专利、实用新型及外观设计的所有权利。